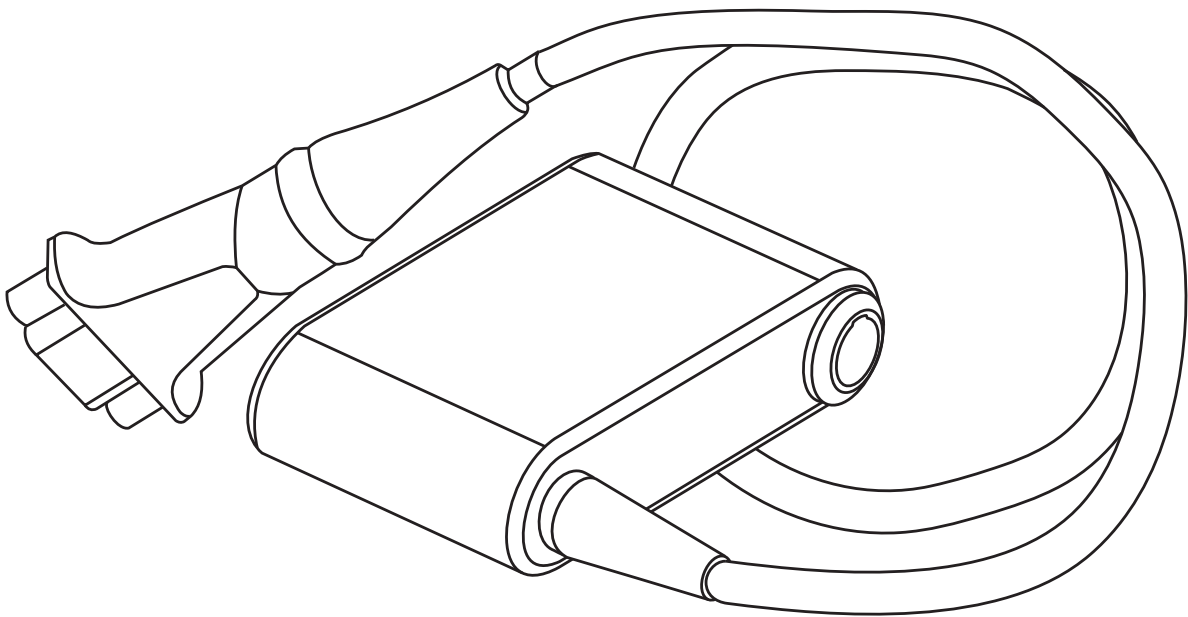


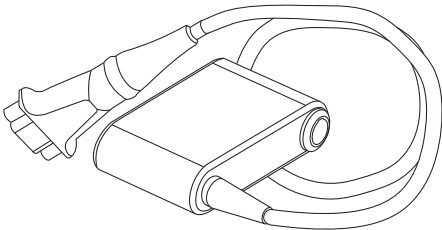
Sonosite ECG Module Assembly Instructions



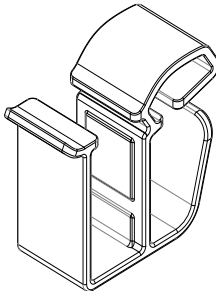
Unpacking the boxes

ECG Module

ECG module and cable

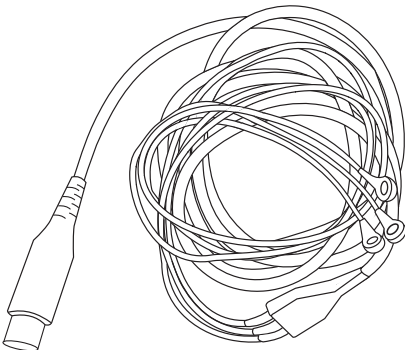


Sonosite PX mounting clip

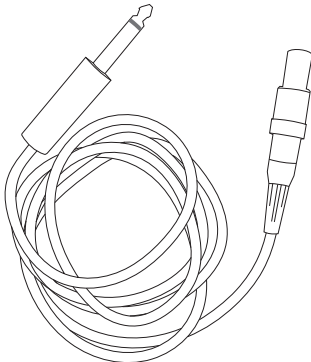


Cables

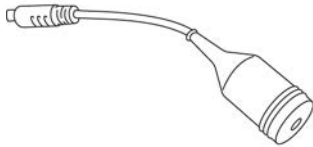
Lead wire cable



External ECG Connector Cable for Philips Intellivue MP70



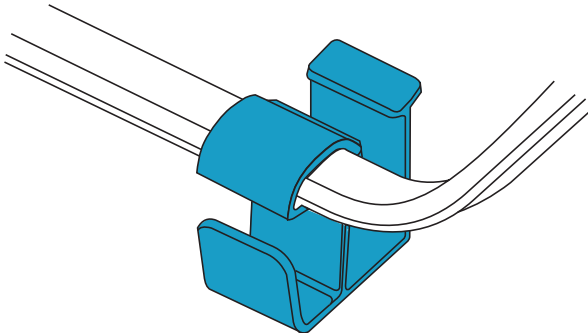
Adapter cable for GE Solar 8000i, with GE TRAM-RAC 4A and GE TRAM 451N



Attach a clip to the system and insert the module

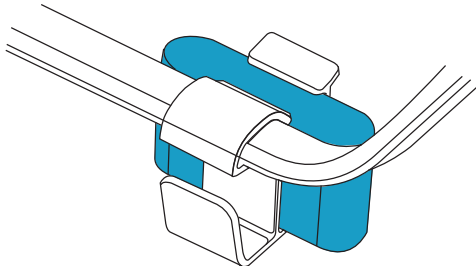
STEP 1

Attach the ECG mounting bracket to your ultrasound system.



STEP 2

Insert the ECG Module into the mounting bracket.

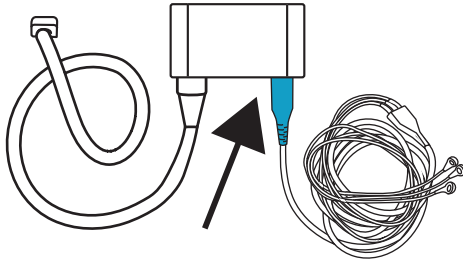


Connect a cable

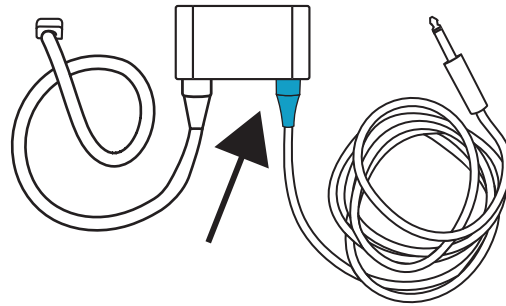
STEP 3

Connect the lead wire cable to the ECG Module.

OR Connect the external ECG connector cable to the ECG module and then directly to the Philips ECG patient monitor or GE patient monitor (adapter required).



OR

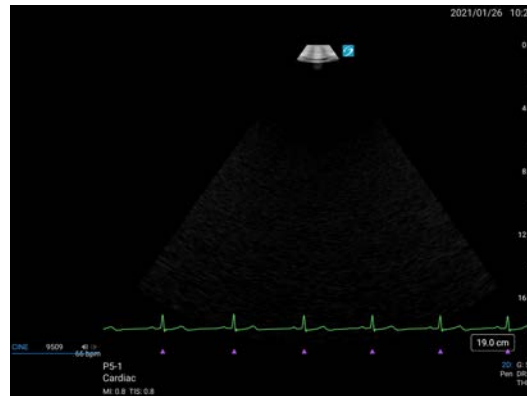
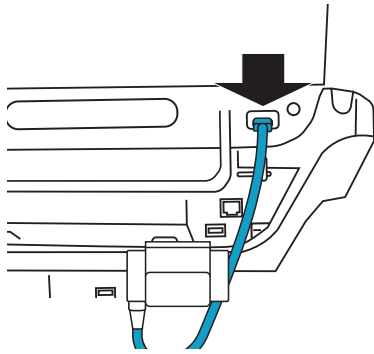


STEP 4

Plug the ECG Module into the ECG port on the rear of the ultrasound system.

STEP 5

Verify the proper display of the ECG signal on the ultrasound system. You must use a cardiac exam type.



SONOSITE and the SONOSITE logo are trademarks and registered trademarks of FUJIFILM SonoSite, Inc., in various jurisdictions. FUJIFILM is a registered trademark of FUJIFILM Corporation. Value from Innovation is a trademark of FUJIFILM Holdings America Corporation.

All other trademarks are the property of their respective owners.

Published July 2021

Copyright © 2021 FUJIFILM SonoSite, Inc. All rights reserved.

Manufacturer

FUJIFILM SonoSite, Inc.
21919 30th Drive SE
Bothell, WA 98021 USA
T: +1-888-482-9449 or
+1-425-951-1200
F: +1-425-951-1201

EC Authorized Representative

FUJIFILM SonoSite B.V.
Joop Geesinkweg 140
1114 AB Amsterdam,
The Netherlands

Australia Sponsor

FUJIFILM SonoSite
Australasia Pty Ltd
114 Old Pittwater Road
BROOKVALE, NSW, 2100
Australia



P28661-02

