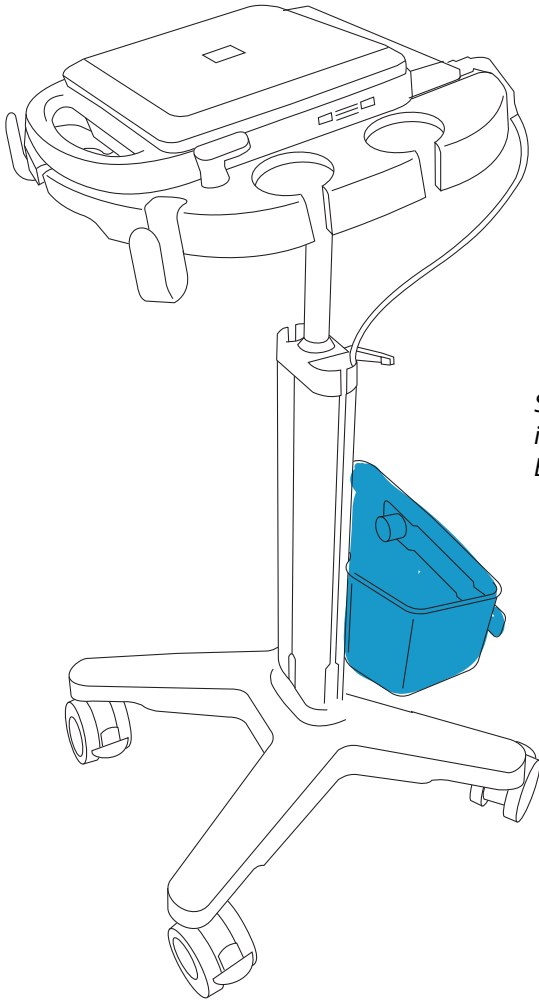


# Storage Bin Assembly Instructions

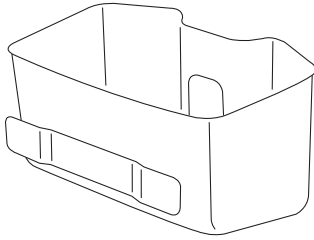
SonoSite



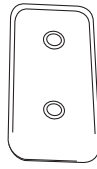
*Storage bin shown  
installed on an  
Edge Stand*

# Unpacking the box

Storage bin (1)



Bin holder (1)



Bracket (1)



Allen bit (1)



Accessory screws and washers (2)



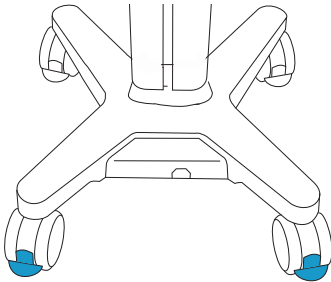
Magnetic bit driver (1)



## Preparing the stand

### STEP 1

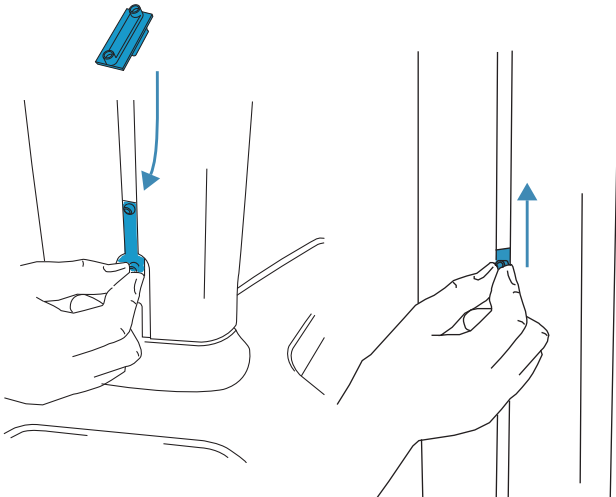
Press down the lever on two or more wheels.



## Attaching the storage bin

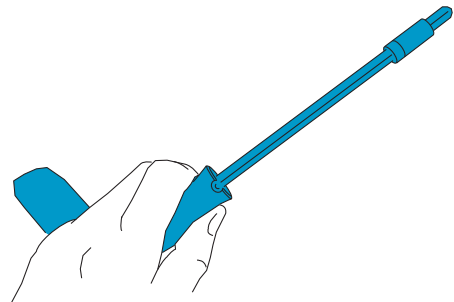
### STEP 2

Insert the flat, rubber side of the bracket into the groove at the lower back of the column.



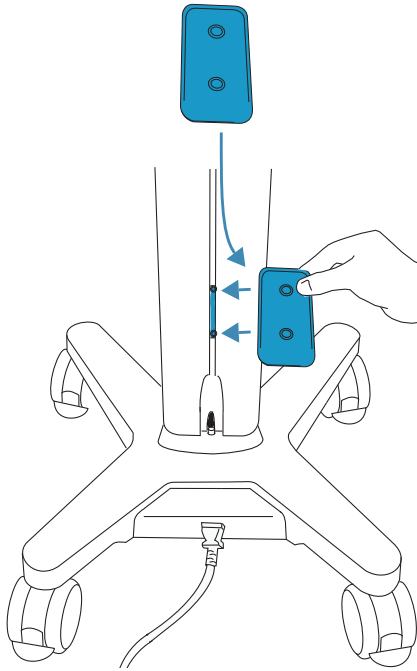
### STEP 3

Insert the Allen bit into the bit driver.



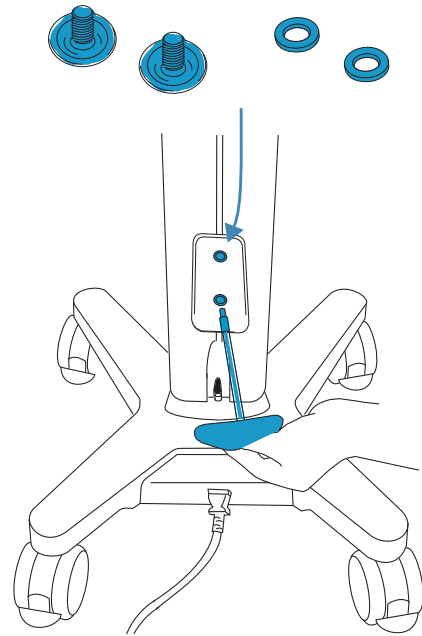
## STEP 4

Align the holes on the bin holder with the holes on the bracket.



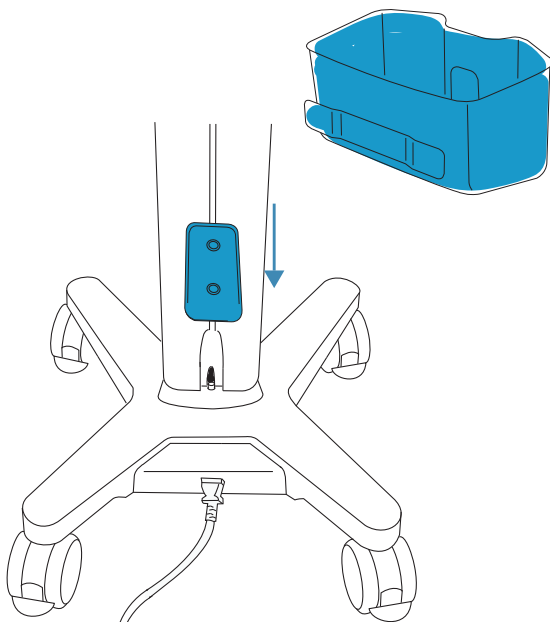
## STEP 5

Use the bit driver and Allen bit to attach the bin holder to the bracket with the two accessory screws.



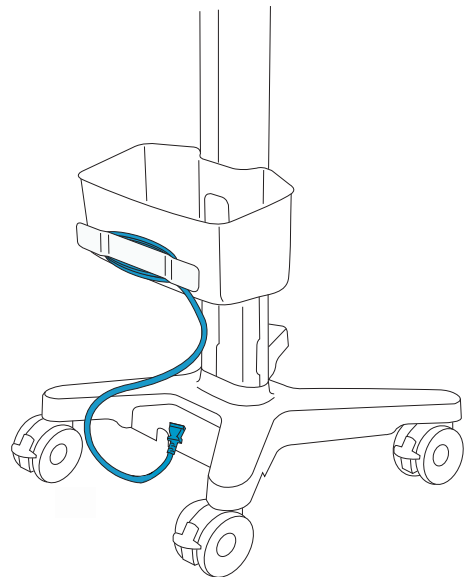
## STEP 6

Attach the storage bin by sliding it down the bin holder.



## STEP 7

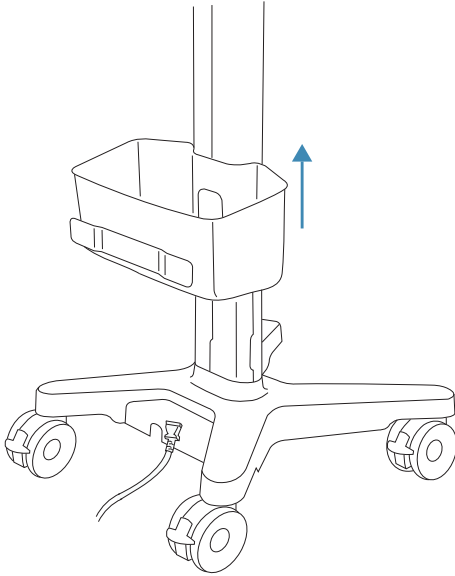
Wrap excess power cord around the cord wrap on the storage bin.



# Removing the storage bin

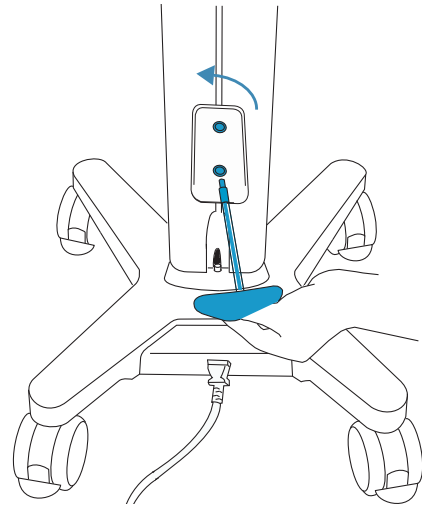
## STEP 7

Press the tab on the back of the bin, and pull straight up.



## STEP 8

Remove the bin holder with a bit driver or Allen wrench.



**Caution:** Federal (United States) law restricts this device to sale by or on the order of a physician.

Edge, SonoSite SII, SonoSite, and the SonoSite logo are trademarks or registered trademarks of FUJIFILM SonoSite, Inc. in various jurisdictions. Value from Innovation is a trademark of FUJIFILM Holdings America Corporation.

All other trademarks are the property of their respective owners.

Copyright © 2015 FUJIFILM SonoSite, Inc. All rights reserved.

**Manufacturer**

FUJIFILM SonoSite, Inc.  
21919 30th Drive SE  
Bothell, WA 98021 USA  
T: 1-888-482-9449 or 1-425-951-1200  
F: 1-425-951-1201

**EC Authorized Representative**

Emergo Europe  
Molenstraat 15  
2513 BH, The Hague  
The Netherlands

**Australia Sponsor**

FUJIFILM SonoSite  
Australasia Pty Ltd  
114 Old Pittwater Road  
BROOKVALE, NSW, 2100  
Australia

11/2015



P21955-01

