

Sonosite PX Mounting Solution Installation Guide

Manufacturer	EC Authorized Representative	Australia Sponsor
FUJIFILM SonoSite, Inc. 21919 30th Drive SE Bothell, WA 98021 USA T: 1-888-482-9449 or 1-425-951-1200 F: 1-425-951-1201	FUJIFILM SonoSite B.V. Joop Geesinkweg 140 1114 AB Amsterdam, The Netherlands	FUJIFILM SonoSite Australasia Pty Ltd 114 Old Pittwater Road BROOKVALE, NSW, 2100 Australia

**CAUTION**

United States federal law restricts this device to sale by or on the order of a physician.

SonoMB, SONOSITE, Steep Needle Profiling, and the SONOSITE logo are trademarks and registered trademarks of FUJIFILM SonoSite, Inc., in various jurisdictions. FUJIFILM is a registered trademark of FUJIFILM Corporation in various jurisdictions. Value from Innovation is a trademark of FUJIFILM Holdings America Corporation. DICOM is a registered trademark of the National Electrical Manufacturers Association. All other trademarks are the property of their respective owners.

Patent: www.sonosite.com/patents



P31994-01

Published May 19, 2023

Copyright © 2023 FUJIFILM SonoSite, Inc. All rights reserved.

Table of Contents

- About the mounting solution 1**
- Inside the box 2**
- Mounting solution installation 3**
- Safety and ergonomics 8**
 - General 8
 - Electrical safety 9
 - Ergonomic safety 9

About the mounting solution

The Sonosite PX, when equipped with the mounting solution, can be attached to a mounting system available at the installation site.



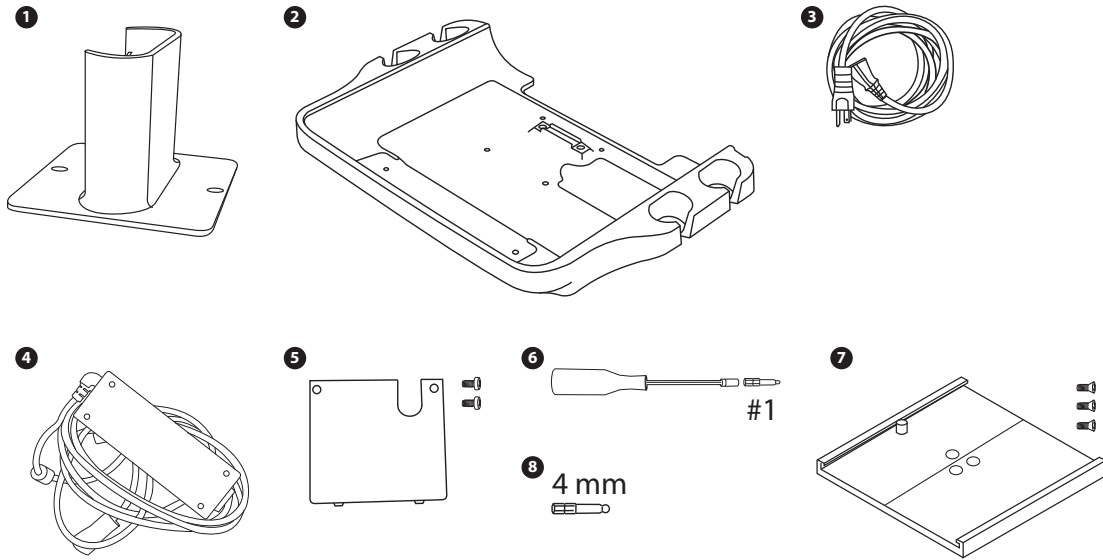
CAUTION

Read all warnings, cautions, and instructions. Failure to follow these instructions can result in serious injury or death.

The mounting solution has the following requirements:

- A 50 pound (22.7 kg) minimum load rating.
- The mounting solution base plate must be kept level with the ground plane. Mounting systems with tilt functionality are not supported.
- Use the screws provided to mount the 5-inch plunger plate to the customer mounting system. Ensure the screws are fully engaged in steel to a depth of 0.30 inch (7.5 mm).
- An articulating third party mounting system may look different than the one shown. The drawings shown in these instructions are for reference.

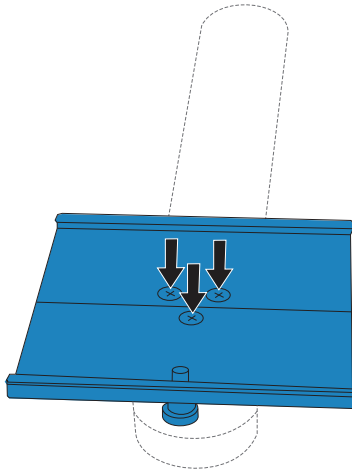
Inside the box



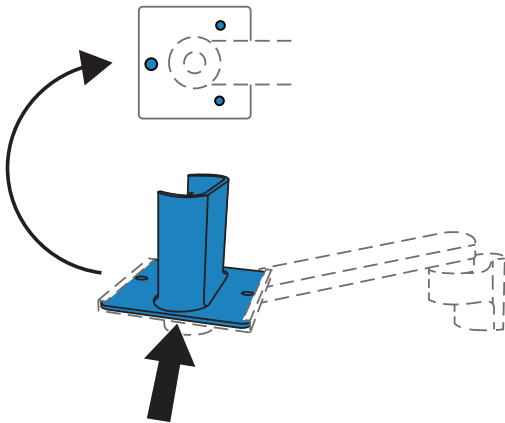
- | | |
|----------------------------|--|
| 1 Mounting assembly | 5 Cover |
| 2 Stand head | 6 #1 Phillips screwdriver |
| 3 AC power cable | 7 5-inch plunger plate with three 10-32 x 5/8 inch screws |
| 4 Power supply | 8 4 mm bit |

Mounting solution installation

1. Use the three #10-32 x 5/8 inch 18-8 stainless steel flat-head screws to attach the aluminum 5-inch plunger plate to the customer mounting system (also 18-8 stainless steel).

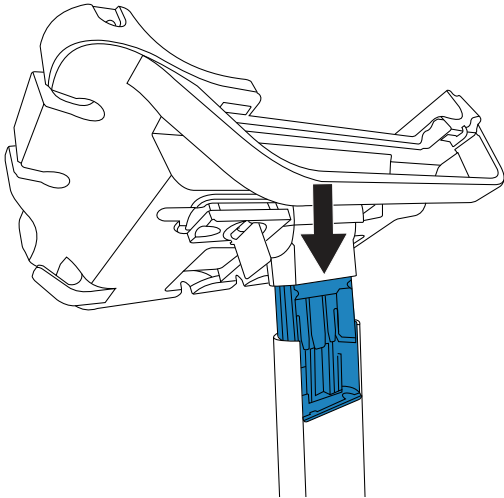


2. Slide the base of the FUJIFILM Sonosite mounting assembly into the 5-inch plunger plate attached to the mounting system. There are plastic set screws underneath the tray that may need to be loosened before the adapter can slide in.

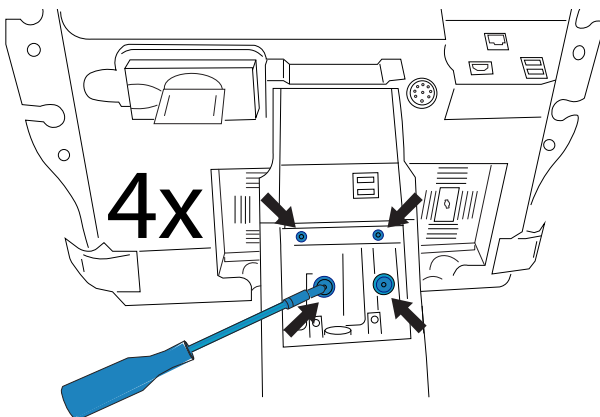


3. Lock the mounting assembly to the mounting system 5-inch plunger plate with the spring loaded pin and hand-tighten the plastic set screws.

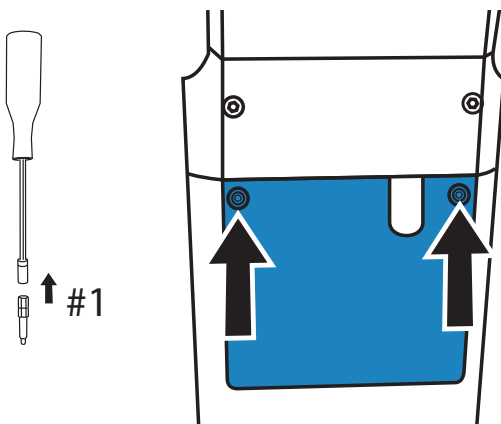
4. Insert the stand head pedestal into the mounting assembly stub.



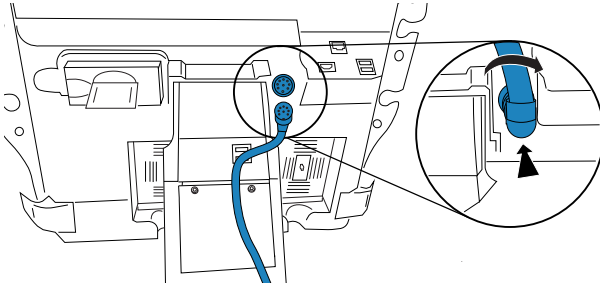
5. Use the bit driver with the 4 mm bit to tighten the four screws on the stand head.



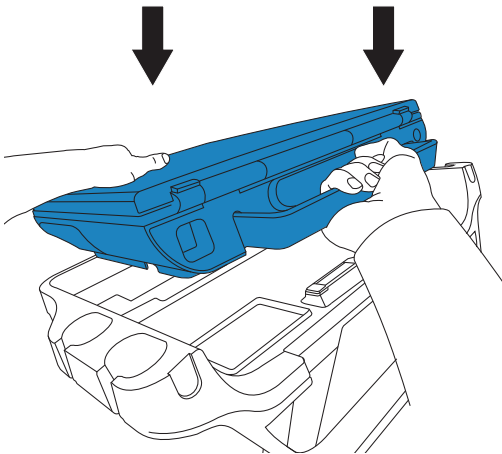
6. Use the #1 Phillips bit to install the cover with two screws.



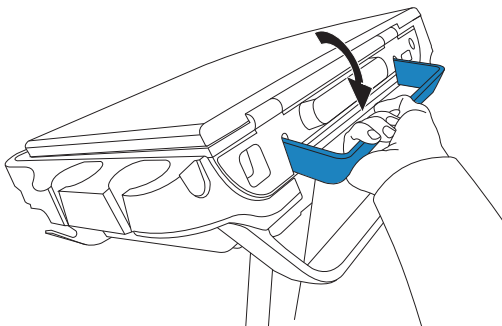
7. Connect the column power cable to the stand head by pushing it into place and screwing it into the connector. Tug gently to make sure it is secure.



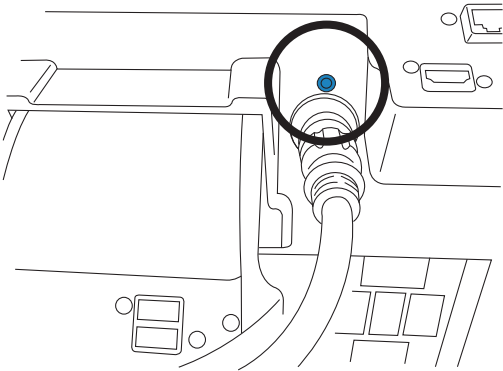
8. Secure the power supply. Mounting fixtures may be available from the manufacturer of the mounting system. Follow the installation instructions for the mounting system.
9. Connect the AC power cord between the power supply and a hospital-grade AC mains outlet. Organize the power cords so there is enough slack to allow unimpeded movement of the system. Also, ensure cables and cords are not touching the ground or at risk for getting caught in other equipment.
10. Dock the system to the stand.



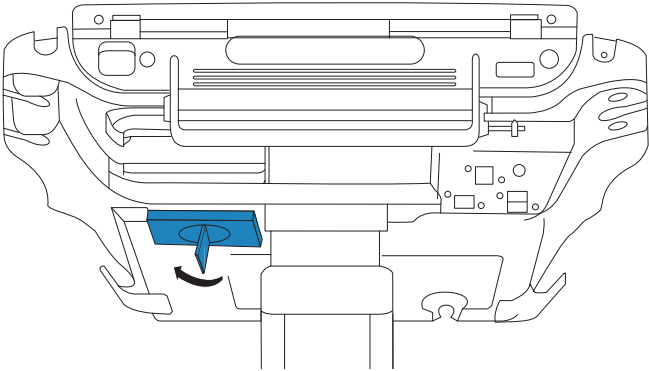
11. Lock the handle by rotating it down.



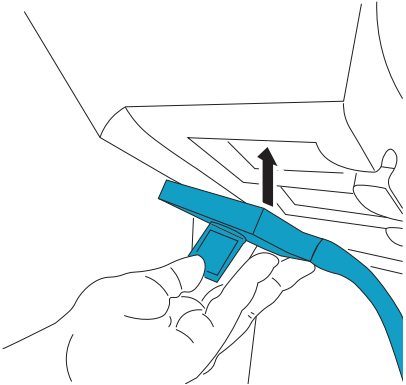
12. Make sure that the power status light on the rear of the stand head is on.



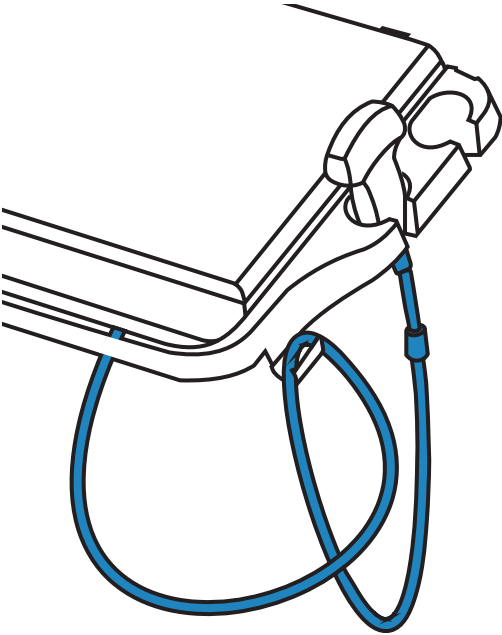
13. Tighten the connection between the system and the TTC by pushing the connector back into place, rotating the latch in the opposite direction, then pressing it up.



14. Connect a transducer to the system.



15. After connecting a transducer, use the cord hooks on the front corners of the stand head to manage the transducer cables.



Safety and ergonomics

General



WARNING

Once the system is mounted, observe the following:

- Do not position the mounted system directly over the patient.
- To avoid increasing the system and transducer connector temperature, do not block the airflow to the ventilation holes.
- Ensure that you don't pinch any system cords while operating the mounted system.



CAUTION

For safety purposes, it is your responsibility to:

- Ensure that the mounted system meets all applicable safety standards and healthcare facility requirements.
- Ensure that the customer mounting structure is suitably designed and rated to safely support the weight of the system and associated accessories.



NOTE

The Sonosite PX mounting solution, including the mounting assembly, the base tray and the screws used to attach the tray to the customer mounting plate, were tested to meet the Tensile Safety Factor requirements per IEC 60601-1:2012 (Edition 3.1), sub-clause 9.8.2, Table 21 (tensile safety factor of four times the weight of the system with two transducers).

Electrical safety



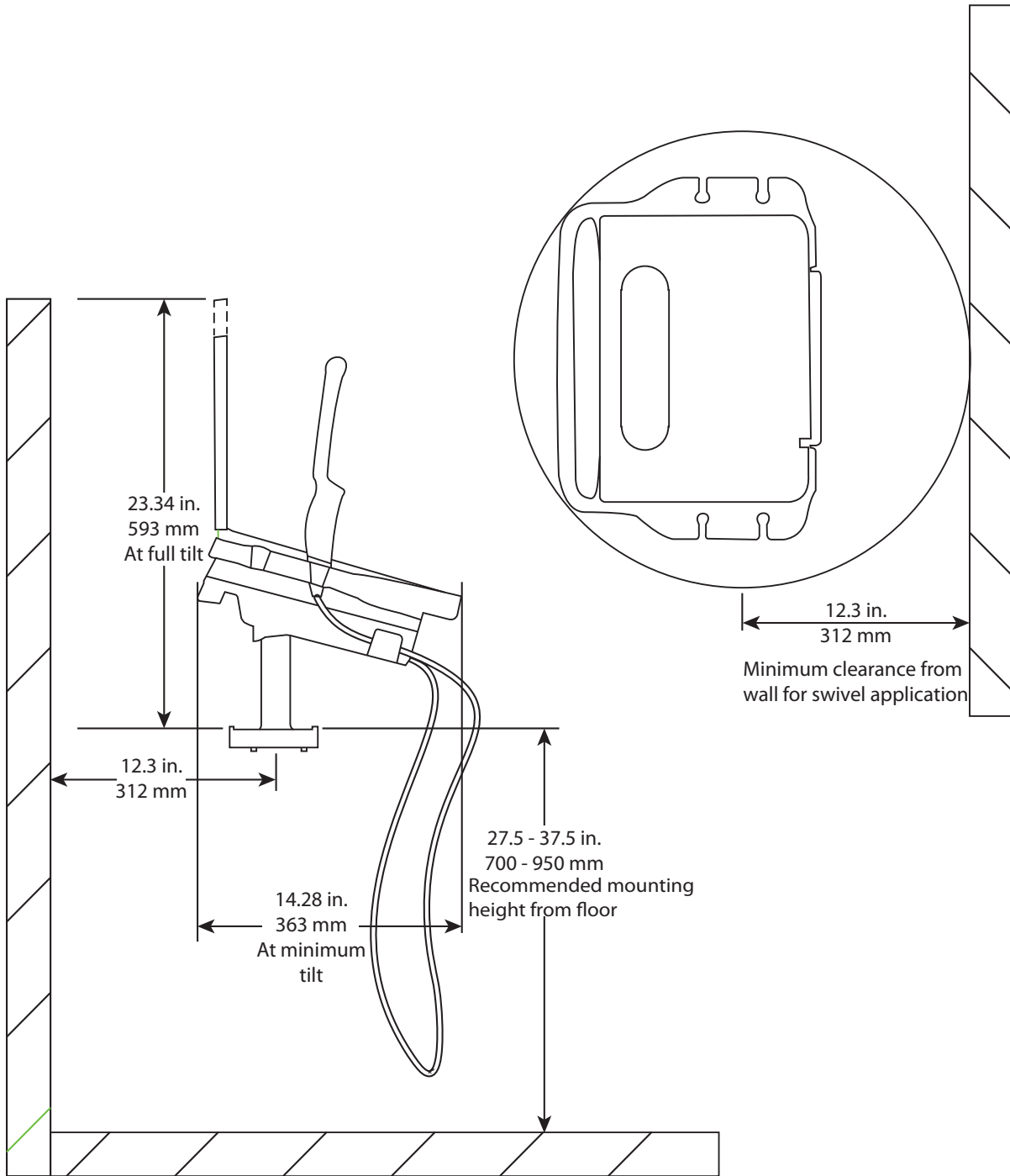
WARNING

To avoid the risk of electrical shock on a mounted system:

- Connect the equipment to a supply mains with protective earth.
- Use only properly grounded equipment. Shock hazards exist if the power supply is not properly grounded. Grounding reliability can be achieved only when equipment is connected to a receptacle marked “hospital only,” “hospital grade,” or equivalent. Do not remove or defeat the grounding connection.
- Use only accessories and peripherals recommended by FUJIFILM Sonosite, including the power supply. Connection of accessories and peripherals not recommended by FUJIFILM Sonosite could result in electrical shock. Contact FUJIFILM Sonosite or your local representative for a list of accessories and peripherals available from or recommended by FUJIFILM Sonosite.
- Do not connect the system power supply and peripherals to a multiple portable socket outlet (MPSO) or extension cord.
- If peripherals are connected to the system, ensure that the system and peripherals are connected to the same AC Mains branch circuit.
- To avoid the risk of electrical shock or injury, do not let the power supply or the system come in contact with the patient.

Ergonomic safety

Other ergonomic and functional dimensions are below. Contact FUJIFILM Sonosite for more information on acceptable mounting options.



FUJIFILM
SONOSITE

P31994-01

